

# INSTALLATION INSTRUCTIONS

Product

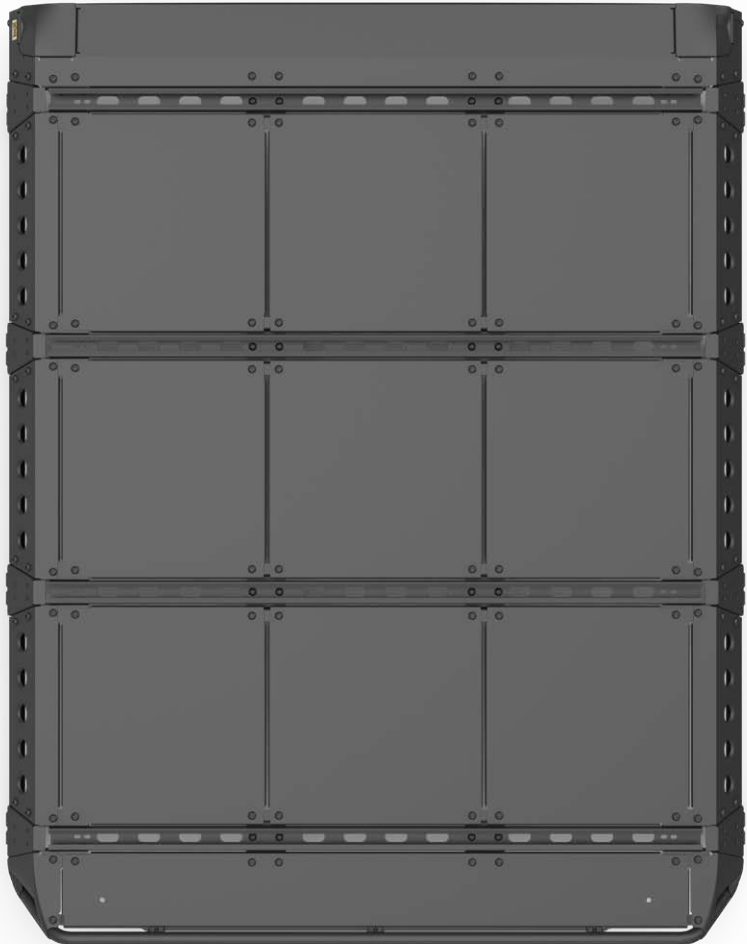
**LeTech  
roof rack**

Vehicle type

**Grenadier**

Last update

**25/01/2024**



**LeTech GmbH & Co. KG**

[info@lennartz-technik.de](mailto:info@lennartz-technik.de)

[www.lennartz-technik.de](http://www.lennartz-technik.de)

# 1 TABLE OF CONTENTS

<b>1 Table of contents.</b> . . . . .	<b>2</b>
<b>2 General</b> . . . . .	<b>3</b>
2.1 Safety instructions . . . . .	3
2.2 Scope of delivery . . . . .	4
<b>3 Assembly</b> . . . . .	<b>7</b>
3.1 Installation of the LeTech roof rack. . . . .	7

## 2 GENERAL

Thank you for purchasing a LeTech quality product. Through state-of-the-art production facilities, constant checks and regulated processes, we ensure that only flawless products leave our production.

### 2.1 SAFETY INSTRUCTIONS

Work on the vehicle may only be carried out by trained specialists.

Work on the vehicle electrical system may only be carried out by specialists with appropriate electrical and electronic knowledge.

Before working on the vehicle electrical system, disconnect the battery.

Use suitable hoists and tools when preparing and assembling the LeTech roof rack.

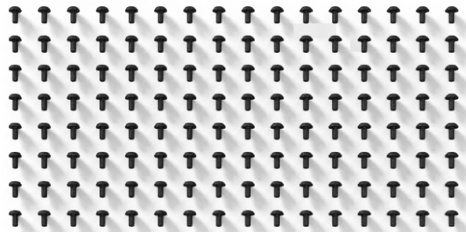
In general, the safety requirements of the respective workshop or country must be observed.

## 2.2 SCOPE OF DELIVERY

Pan head screw M8x16  
(84x)

scope of delivery  
Art. No. 11006

Pan head screw M8x16  
(44x)



Sealing plug  
(2x)



Support end plate  
(4x)

Only when mounted without  
tread plates



Flange screw M8x16  
(64x)



Flange screw M8x25  
(2x)



Flanged nut M8  
(4x)

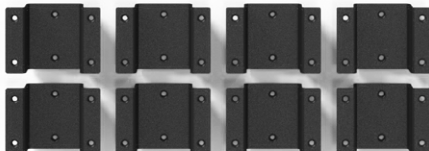


Flange screw M8x12  
(3x)

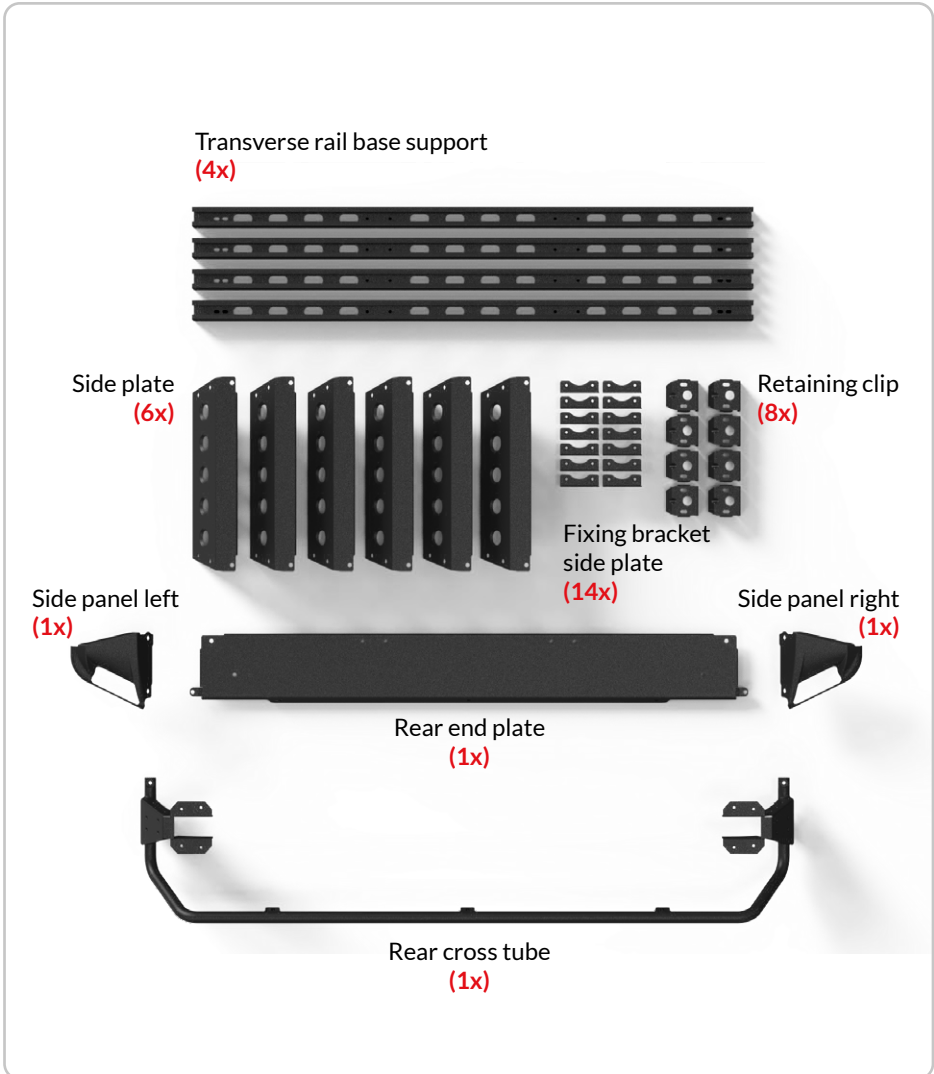


Support tread plate centre  
(8x)

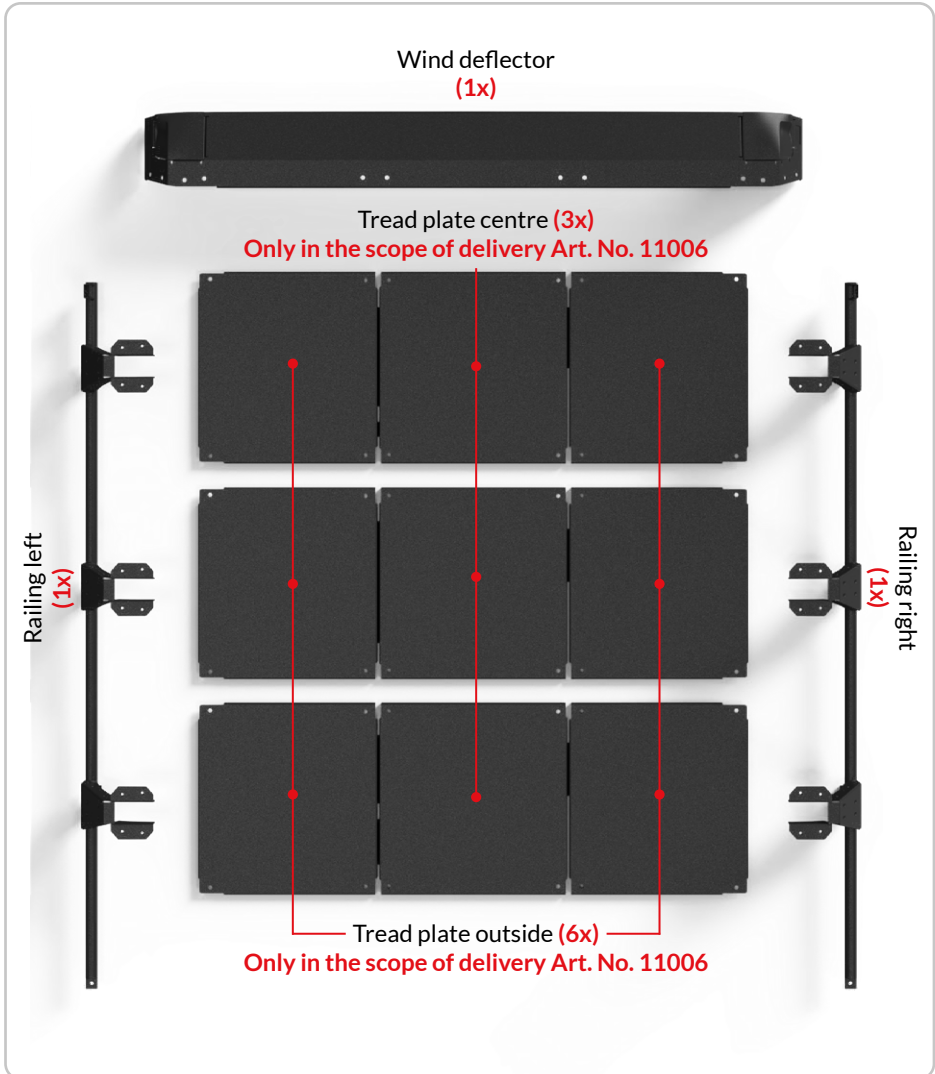
Only when mounted with tread  
plates



## 2.2 SCOPE OF DELIVERY



## 2.2 SCOPE OF DELIVERY



## 3 ASSEMBLY

### 3.1 INSTALLATION OF THE LETECH ROOF RACK



Flanged nut M8  
(2x)

Flange screw M8x25  
(2x)

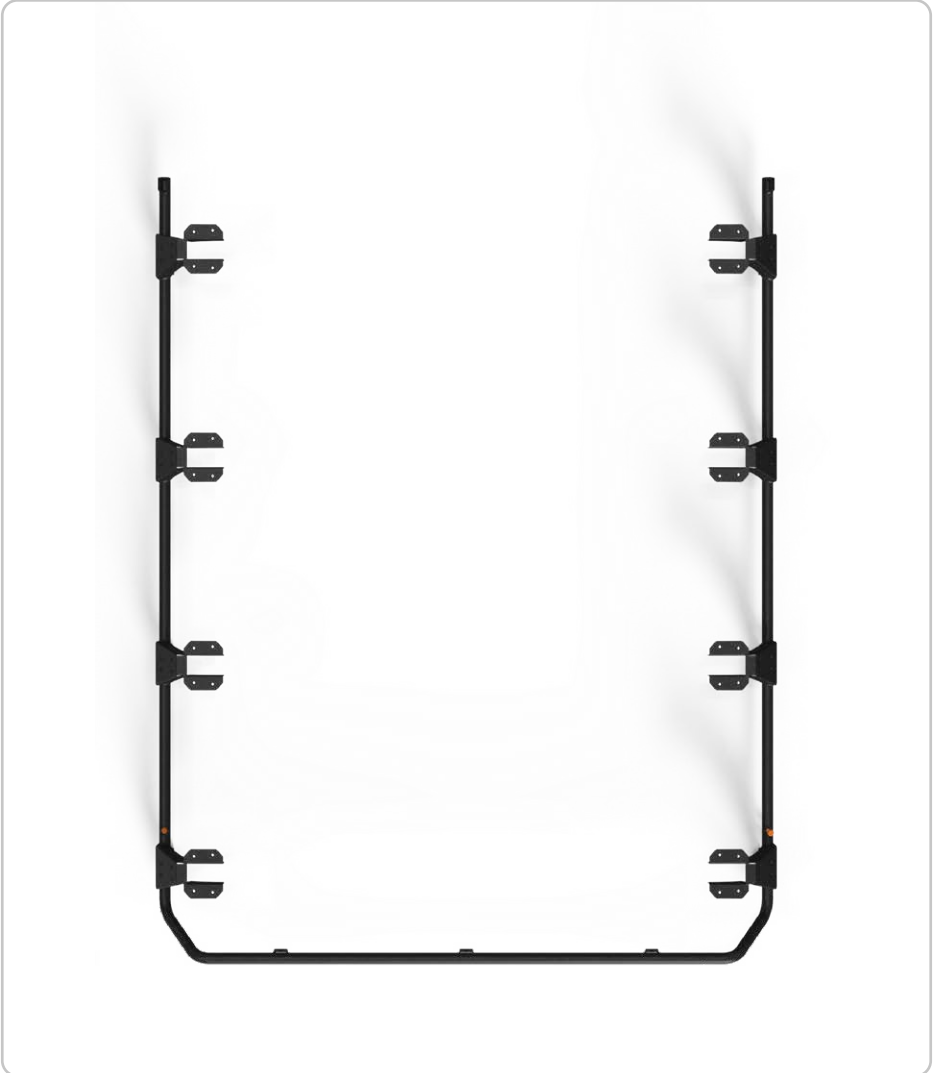
Railing left  
(1x)

Railing right  
(1x)

Rear cross tube  
(1x)

Connect the left and right railings to the rear cross tube. Do not tighten the screws yet!

### 3.1 INSTALLATION OF THE LETECH ROOF RACK





### 3.1 INSTALLATION OF THE LETECH ROOF RACK

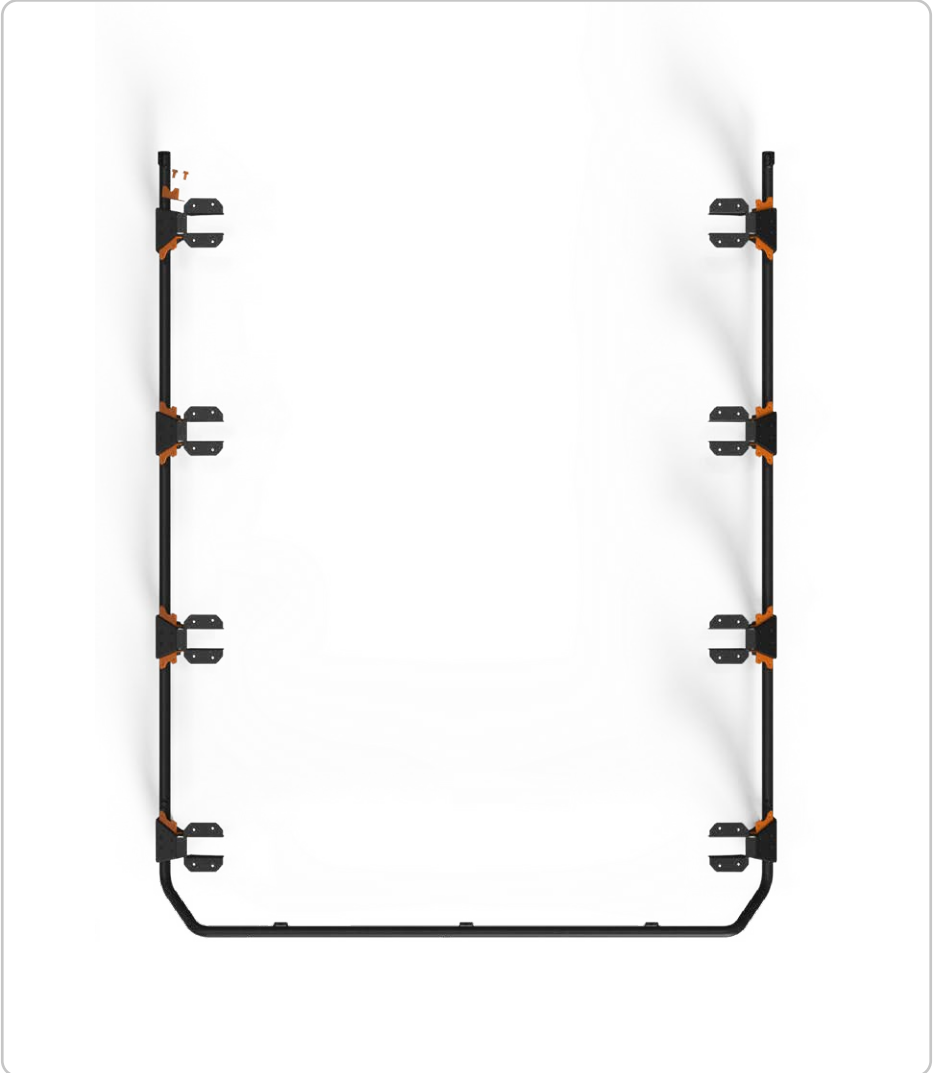


Bracket side plate  
(14x)

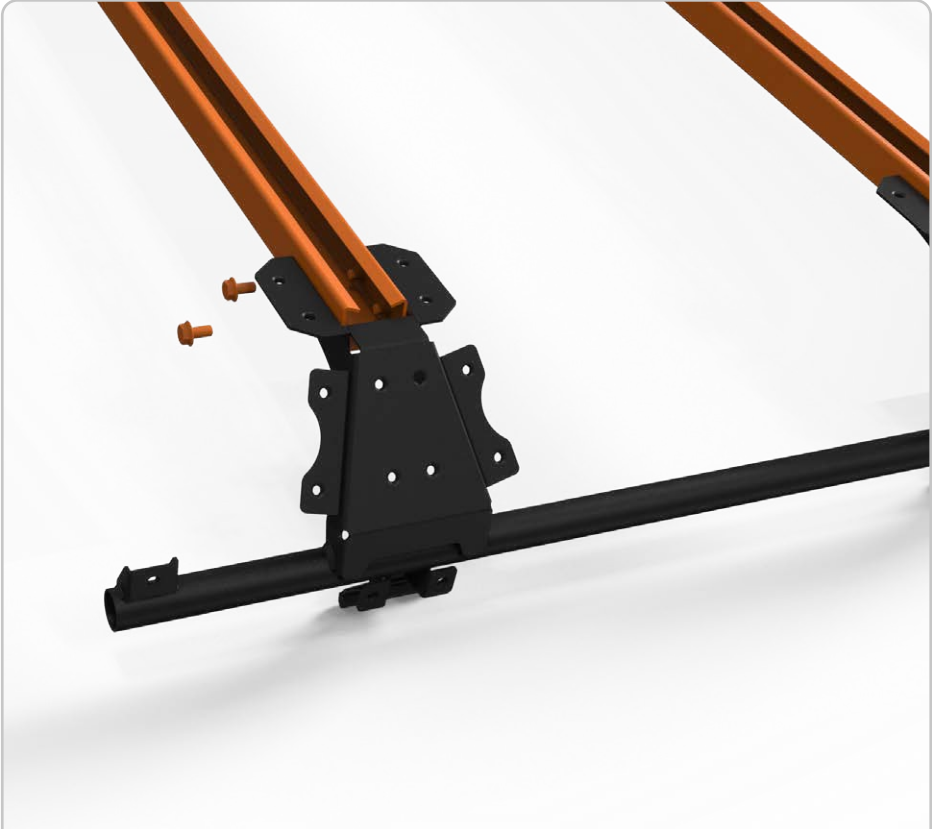
Flange screw M8x16  
(28x)

Attach the brackets for  
the side plates. Do not  
tighten the screws yet!

### 3.1 INSTALLATION OF THE LETECH ROOF RACK



### 3.1 INSTALLATION OF THE LETECH ROOF RACK

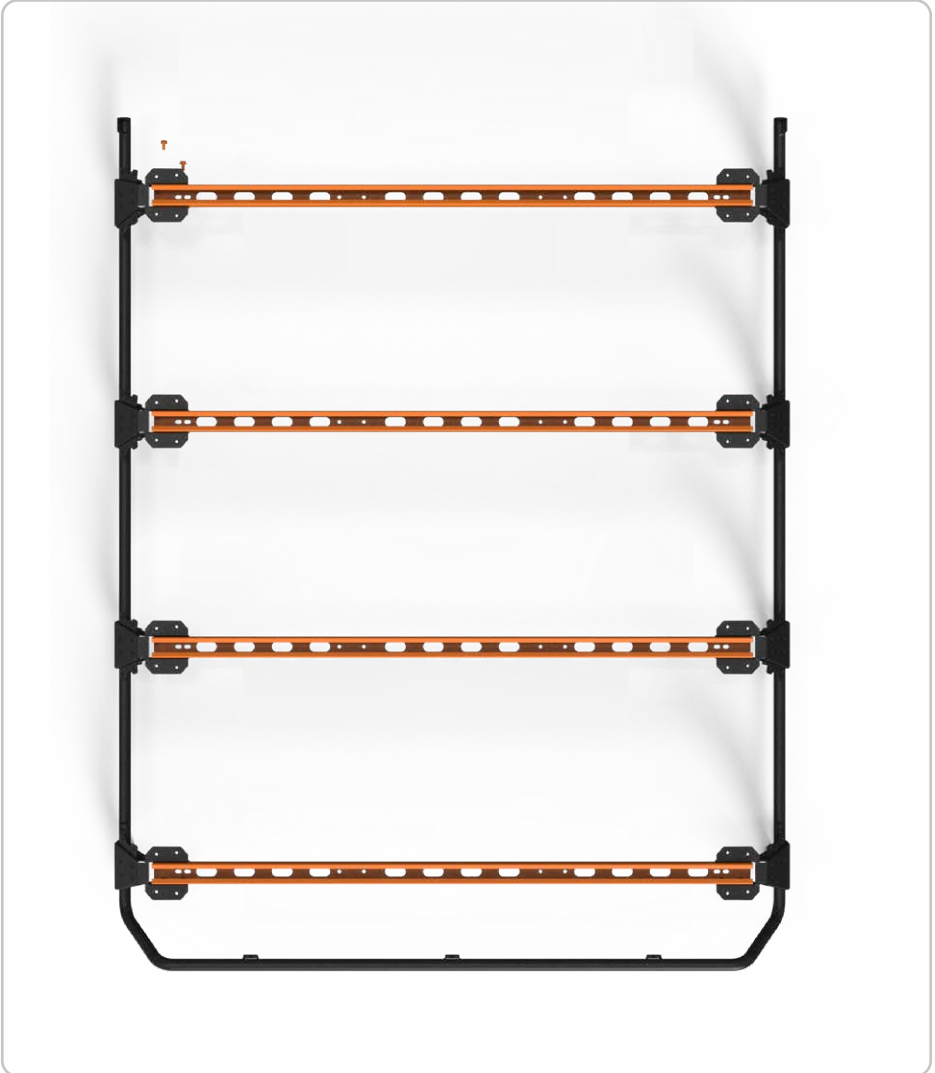


Transverse rail base support  
(4x)

Flange screw M8x16  
(32x)

Mount the transverse rails of the base support. The cross rails are fastened on both sides with four screws each. Do not tighten the screws yet!

### 3.1 INSTALLATION OF THE LETECH ROOF RACK



### 3.1 INSTALLATION OF THE LETECH ROOF RACK



Support end plate  
(4x)

Pan head screw M8x16  
(8x)

Mount the end plate support. Do not tighten the screws yet!

**Only when mounted without tread plates. If these are also mounted, pages 13 and 14 can be skipped.**

### 3.1 INSTALLATION OF THE LETECH ROOF RACK



### 3.1 INSTALLATION OF THE LETECH ROOF RACK



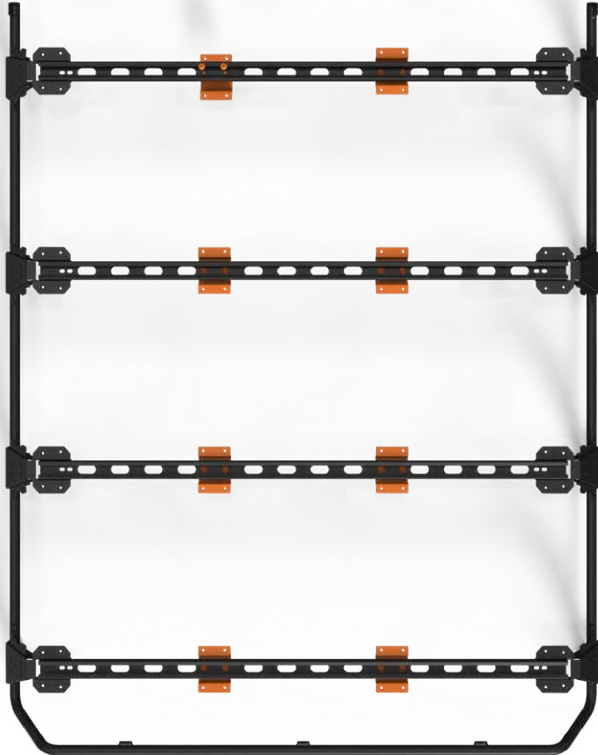
Support tread plate  
centre  
**(8x)**

Pan head screw M8x16  
**(16x)**

Mount the support tread  
plate centre. Do not tight-  
en the screws yet!

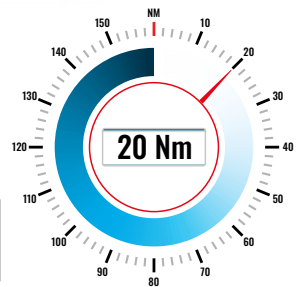
**Only in the scope of deli-  
very Art. No. 11006.**

### 3.1 INSTALLATION OF THE LETECH ROOF RACK



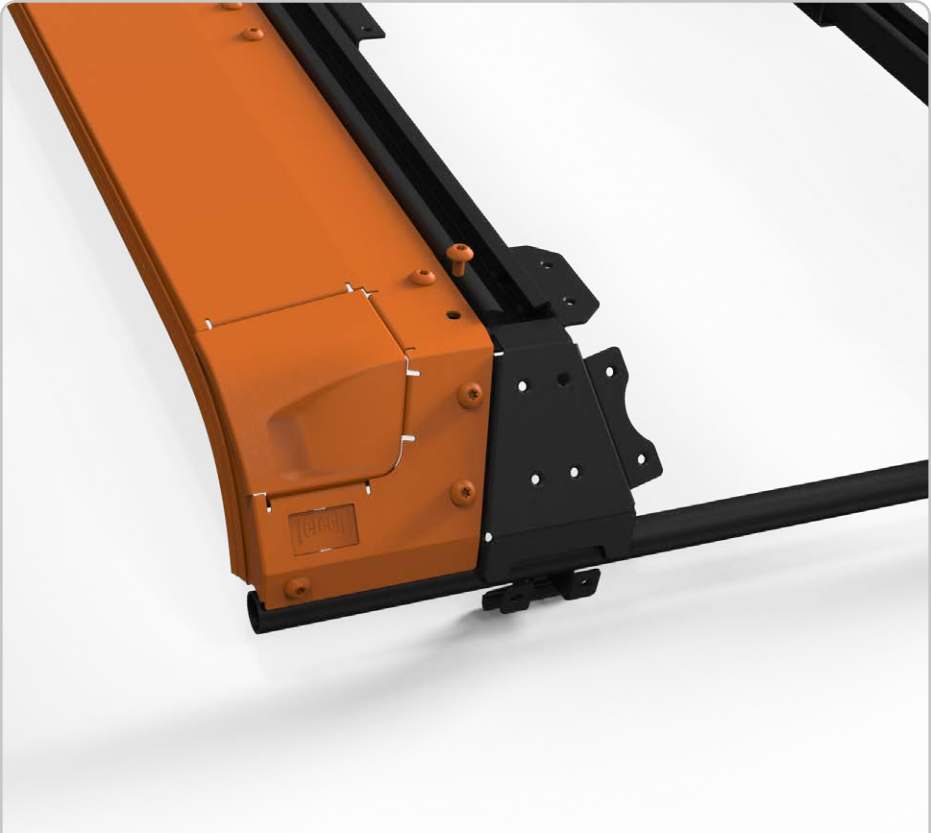
Torque wrench

All screws must be tightened to the specified torque of **20 Nm**.





### 3.1 INSTALLATION OF THE LETECH ROOF RACK



Wind deflector  
(1x)

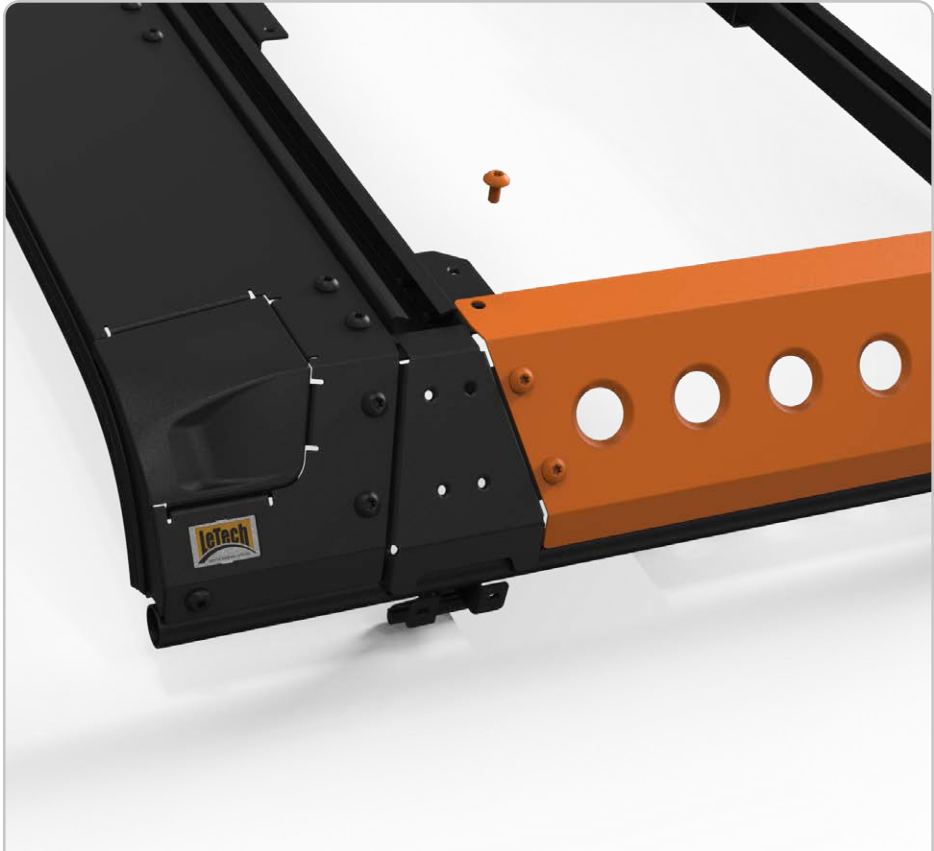
Pan head screw M8x16  
(14x)

Mount the wind deflector. Do not tighten the screws yet!

### 3.1 INSTALLATION OF THE LETECH ROOF RACK



### 3.1 INSTALLATION OF THE LETECH ROOF RACK



Side plate  
(6x)

Pan head screw M8x16  
(36x)

Assembly of the side plates. Do not tighten the screws yet!

### 3.1 INSTALLATION OF THE LETECH ROOF RACK



### 3.1 INSTALLATION OF THE LETECH ROOF RACK



Rear end plate  
**(1x)**

Pan head screw M8x16  
**(6x)**

Installation of rear end plate. Do not tighten the screws yet!

## 3.1 INSTALLATION OF THE LETECH ROOF RACK



Flange screw M8x12  
(3x)

Installation of rear end  
plate. Do not tighten the  
screws yet!

### 3.1 INSTALLATION OF THE LETECH ROOF RACK

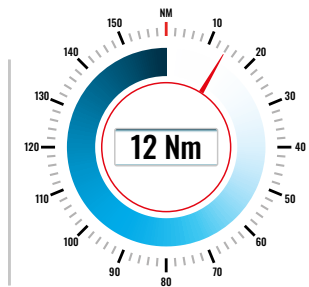


Side panel left  
(1x)

Side panel right  
(1x)

Pan head screw M8x16  
(4x)

Mounting the left and  
right side panel. Tighten  
screws to 12 Nm!



### 3.1 INSTALLATION OF THE LETECH ROOF RACK





## 3.1 INSTALLATION OF THE LETECH ROOF RACK



Tread plate outside  
(6x)

Center tread plate  
(3x)

Pan head screw M8x16  
(36x)

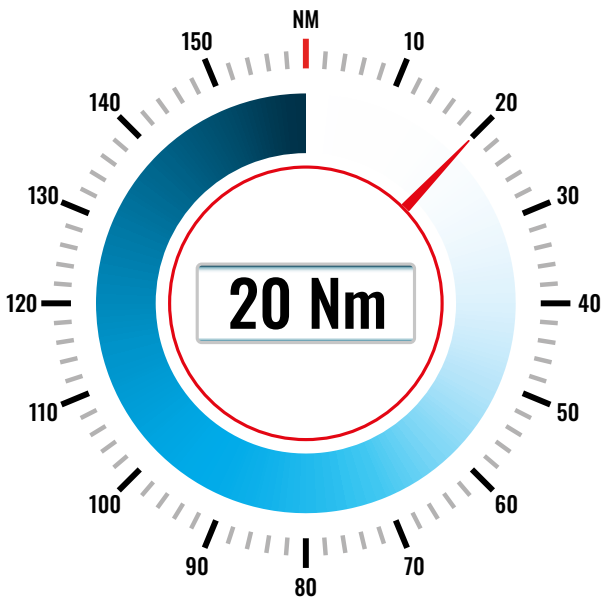
Mounting the tread plates. Do not tighten the screws yet!

**Only in the scope of delivery Art. No. 11006.**

### 3.1 INSTALLATION OF THE LETECH ROOF RACK



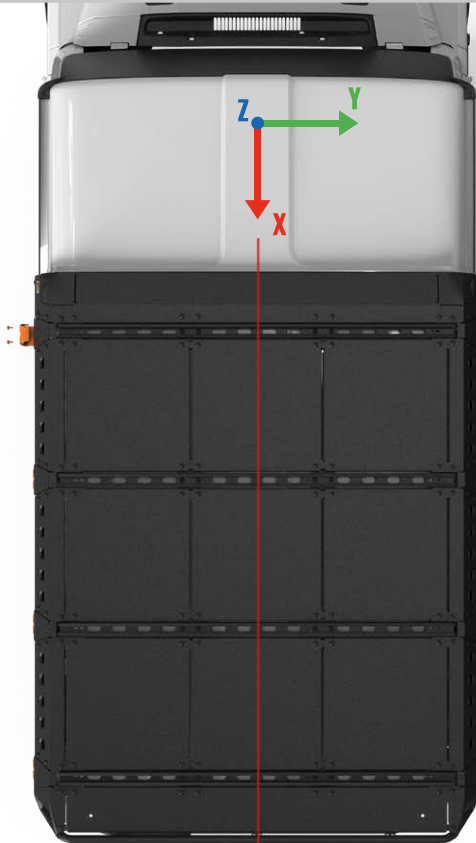
### 3.1 INSTALLATION OF THE LETECH ROOF RACK



Torque wrench

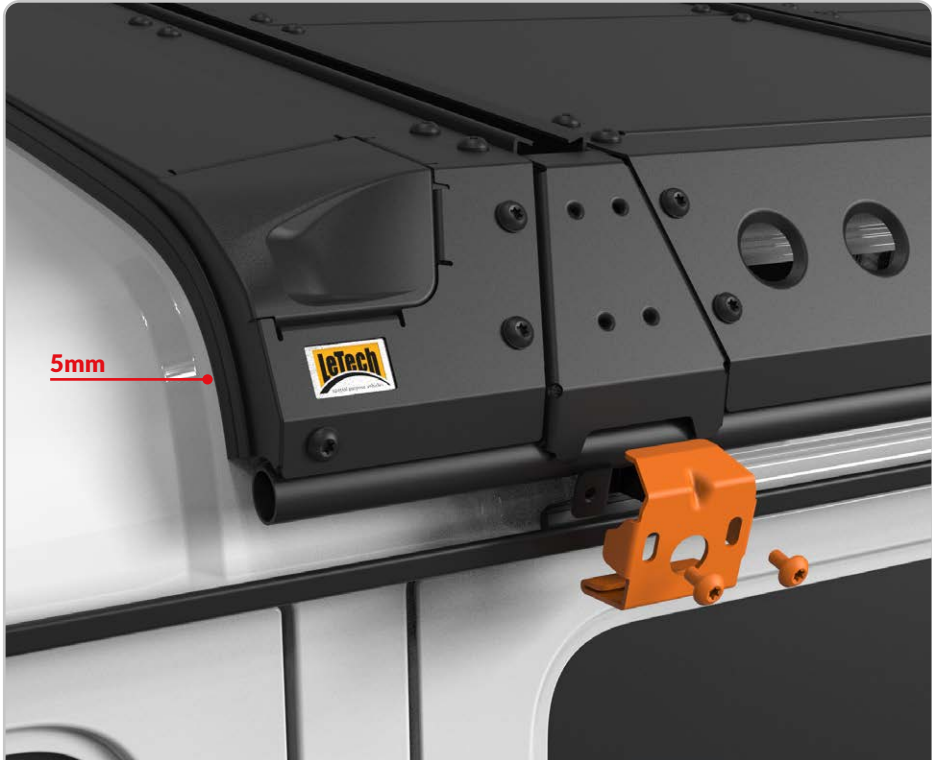
Before mounting the roof rack on the roof, all screws must be tightened to the specified torque of 20 Nm.

### 3.1 INSTALLATION OF THE LETECH ROOF RACK



Place the LeTech roof rack on the roof so that the sealing lip at the front has about 5 mm air to the phase of the roof.

### 3.1 INSTALLATION OF THE LETECH ROOF RACK

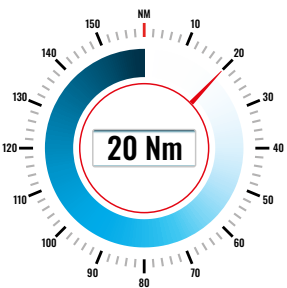


5mm

Retaining clip  
(8x)

Pan head screw M8x16  
(16x)

Place the retaining clip  
and tighten the M8x16  
screws with a torque of  
20 Nm.



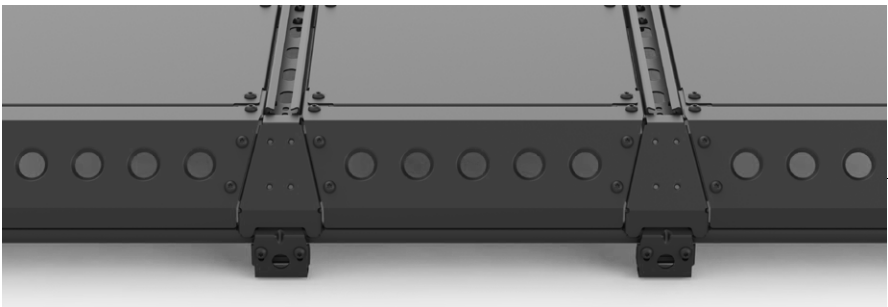
### 3.1 INSTALLATION OF THE LETECH ROOF RACK



Sealing plug  
(2x)

Attach the sealing plug  
on both sides.

# LeTech roof rack Grenadier



MADE IN GERMANY

## LeTech roof rack



### LeTech GmbH & Co. KG

Reizenwiesen 19

73642 Welzheim

Phone: +49 7182 93565 - 0

info@lennartz-technik.de

www.lennartz-technik.de