

INSTALLATION INSTRUCTIONS

Product

**LeTech offroad
running board**

Vehicle type

Grenadier

Last update

25/01/2024



LeTech GmbH & Co. KG

info@lennartz-technik.de

www.lennartz-technik.de

1 TABLE OF CONTENTS

1	Table of contents	2
2	General	3
	2.1 Safety instructions	3
	2.2 Scope of delivery	4
3	Assembly	5
	3.1 Installation of the LeTech offroad running boards	5

2 GENERAL

Thank you for purchasing a LeTech quality product. Through state-of-the-art production facilities, constant checks and regulated processes, we ensure that only flawless products leave our production.

2.1 SAFETY INSTRUCTIONS

Work on the vehicle may only be carried out by trained specialists.

Work on the vehicle electrical system may only be carried out by specialists with appropriate electrical and electronic knowledge.

Before working on the vehicle electrical system, disconnect the battery.

Use suitable tools when preparing to install the LeTech off-road running boards.

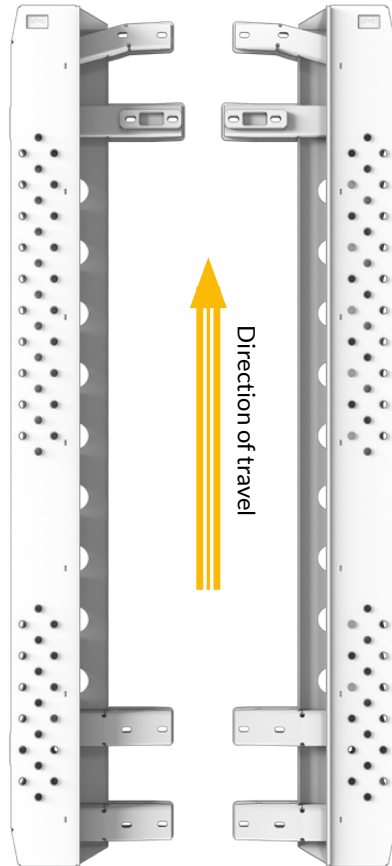
In general, the safety requirements of the respective workshop or country must be observed.

2.2 SCOPE OF DELIVERY

Screw M10x30
(16x)



LeTech offroad running board (le/ri)
(2x)



3 ASSEMBLY

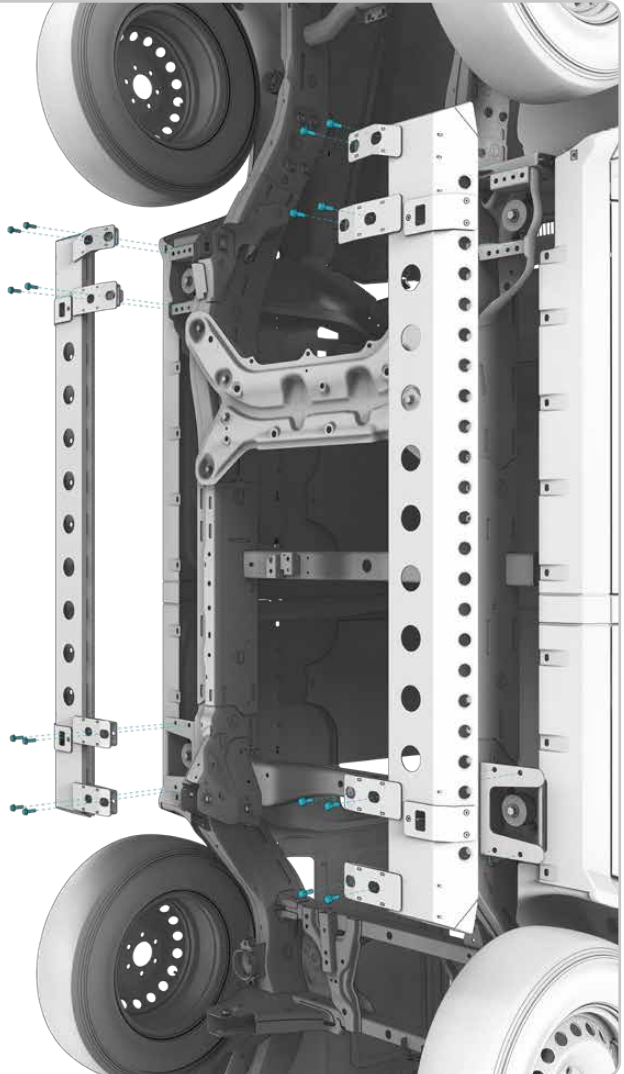
3.1 INSTALLATION OF THE OFFROAD RUNNING BOARDS

Screw M10x30
(16x)

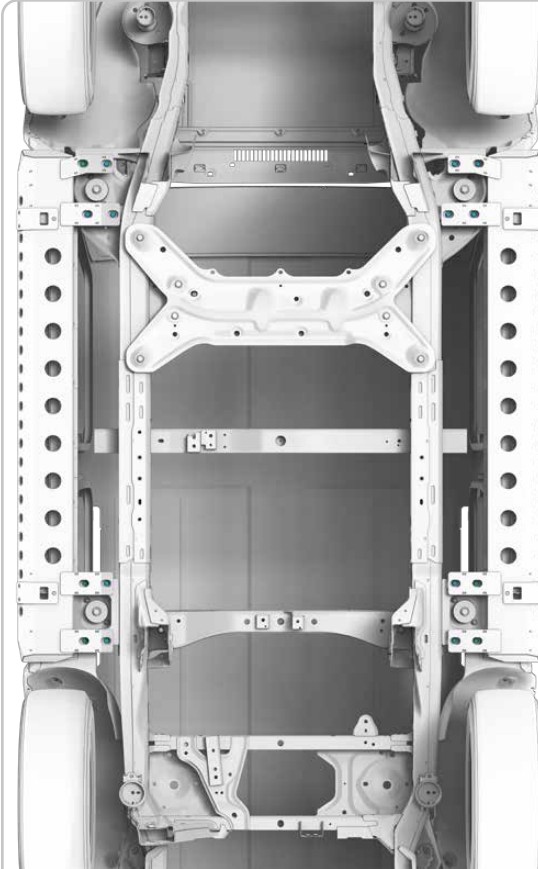
Place the LeTech off-road running boards with the 16x M10x30 screws.

The LeTech logo is located at the front in the direction of travel.

A 1/2" ratchet with extension and 16 spanner attachment can serve as a tool.

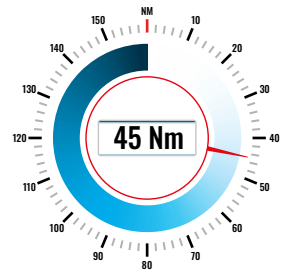


3.1 INSTALLATION OF THE OFFROAD RUNNING BOARDS



Screw M10x30
(16x)

Using a suitable torque wrench, tighten the 16x M10x30 screws to 45Nm.



LeTech offroad running board Grenadier



LeTech offroad running board



LeTech GmbH & Co. KG

Reizenwiesen 19

73642 Welzheim

Phone: +49 7182 93565 - 0

info@lennartz-technik.de

www.lennartz-technik.de